

TRS MOLLE BLADE

CONTENTS: 1-TRS MOLLE Blade Mount, 1-Dovetail Side Panel, & 1-Dovetail Sleeve

Click here to purchase the First-Light USA TRS MOLLE Blade mount on BrightGuy.com



Thank you for purchasing an accessory from First-Light USA's Tactical Retention System (TRS). Included in this package are two different types of dovetails to make your light compatible with the accessories. The Dovetail Side Panel should be used with all TORQ™ lights. The Dovetail Sleeve is for use with Tomahawk® and T-MAX™ lights.

FIRST-LIGHT USA, LLC 1-YEAR LIMITED WARRANTY

The PERIOD OF WARRANTY shall be for one year from date of purchase of the lighting device. First-Light USA will repair or replace, free of charge, at First-Light USA's option, any part due to defects in materials or workmanship. First-Light USA, at First-Light USA's option, may refund the purchase price to the original owner if unable to make the product perform the work for which it was designed by repair or replacement of a product of at least equal value. The limited warranty contained herein is the purchaser's exclusive remedy.

THIS WARRANTY EXCLUDES damage or defects caused by neglect, abuse, misuse, alteration, disassembly, improper maintenance or accidents. Batteries, or damaged caused by defective or neglected batteries are excluded from this warranty.

Accessory items are also excluded from this warranty.

To obtain warranty service, call 877.454.4450 or send e-mail to: info@firstlight-usa.com

First-Light USA will then issue a Return Merchandise Authorization (RMA) and instructions on warranty return. The original owner must include the RMA upon returning the product in order to obtain warranty service from First-Light USA. We will pay to ship the repaired or replaced product to the original owner's address if located within United States. If the original owner's address is located outside of the United States, we will ship the product freight collect. If we determine the remedy is not covered under this warranty, we will notify you and inform you of service options available on a fee basis.

FIRST-LIGHT USA, LLC MAKES NO OTHER WARRANTY OF ANY KIND, EXPRESSED OR IMPLIED. ALL IMPLIED WARRANTIES, TO INCLUDE BUT NOT LIMITED TO WARRANTIES OF MERCHANTABILITY AND FITNESS FOR A PARTICULAR PURPOSE WHICH EXCEED THE OBLIGATIONS AND TIME LIMITS STATED IN THIS WARRANTY ARE HEREBY DISCLAIMED BY FIRST-LIGHT USA, LLC AND EXCLUDED FROM THIS LIMITED WARRANTY. SOME STATES DO NOT ALLOW LIMITATIONS ON HOW LONG AN IMPLIED WARRANTY LASTS, SO THE ABOVE LIMITATION MAY NOT APPLY TO YOU. ALSO EXCLUDED FROM THIS WARRANTY ARE ANY INCIDENTAL OR CONSEQUENTIAL DAMAGES INCLUDING LOSS OF USE. SOME STATES DO NOT ALLOW THE EXCLUSION OR LIMITATION OF INCIDENTAL OR CONSEQUENTIAL DAMAGES; EXCLUSIONS MAY NOT APPLY TO YOU. THIS WARRANTY GIVES YOU SPECIFIC LEGAL RIGHTS AND YOU MAY ALSO HAVE OTHER RIGHTS THAT VARY FROM STATE TO STATE.

FIRST-LIGHT USA, LLC
WARRANTY AND SERVICE DEPARTMENT
205 S. Main Street, Seymour, IL 61875

Phone: 877.454.4450
Fax: 877.454.4420
Email: info@firstlight-usa.com

REV_14-07

205 S. Main Street, Seymour, IL 61875 | 877.454.4450

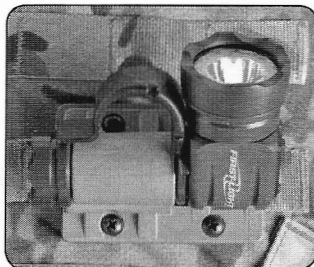
www.firstlight-usa.com



TRS MOLLE Blade Mount with TORQ Light



TRS MOLLE Blade Mount with T-MAX Light



Secure your First-Light USA lighting tool to MOLLE-equipped gear for hands-free, adjustable illumination.

TRS MOLLE BLADE MOUNT TACTICAL RETENTION SYSTEM™ (TRS™) ACCESSORY

PREPARING YOUR LIGHT FOR TRS USE

INSTALLING DOVETAIL SIDE PANEL (for TORQ lights)

Before your TRS is ready for use, install the Dovetail Side Panel on your light's Side Panel.

To install the dovetail side panel, open the battery door and slide out the existing side panel (Figure 1). Insert the dovetail side panel and close battery door to lock into place.

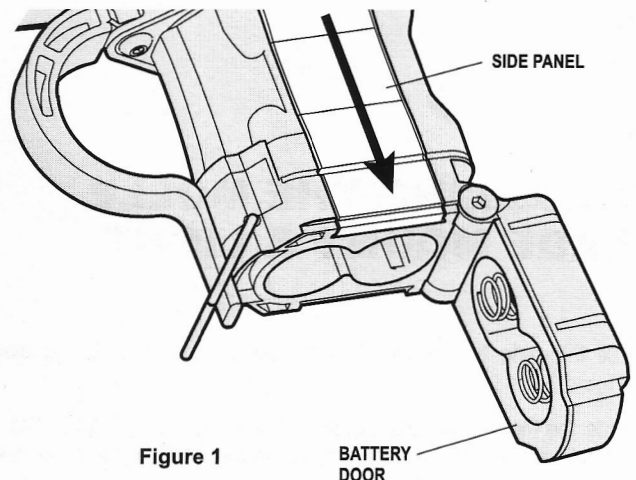


Figure 1

INSTALLING THE TRS DOVETAIL SLEEVE (for Tomahawk and T-MAX lights)

Before your TRS is ready for use, install the Dovetail Sleeve on your light's Battery Tube.

1. REMOVE MOLLE/POCKET CLIP (if attached)

- Unscrew and remove Battery Tube from Lamp Housing.
- Remove the upper O-Ring and slide off the MOLLE/Pocket Clip.
- Replace the O-Ring and retighten the Battery Tube securely to the Lamp Housing. (If desired, the Finger Loop can also be reinstalled at this time.)

2. REMOVE RUBBER SLEEVE

- Remove the Battery Cap and lower O-Ring.
- Slide off the Rubber Sleeve.

3. INSTALL TRS DOVETAIL SLEEVE

- Slide the TRS Dovetail Sleeve onto the Battery Tube. This may require some pressure, as the Sleeve is friction-fit.
- Replace lower O-Ring and Battery Cap. The Sleeve is now installed.

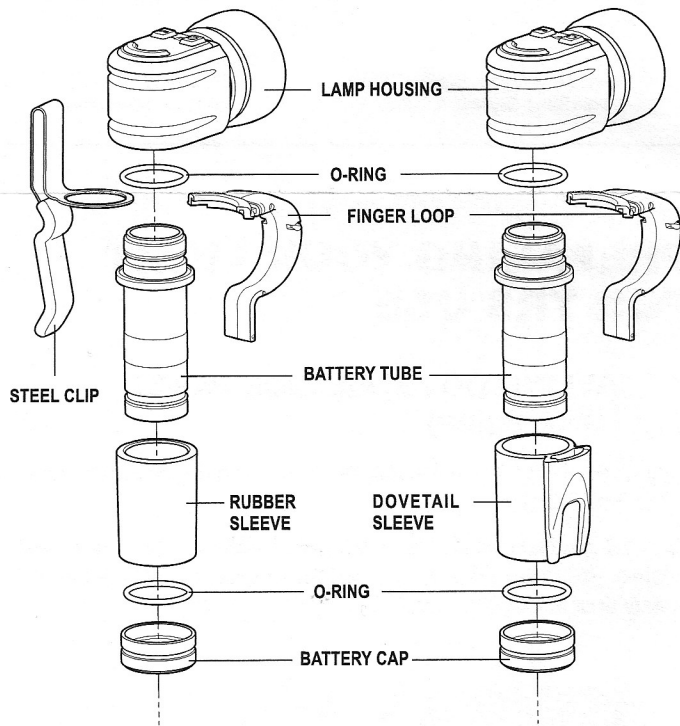


Figure 2

INSTALLING THE MOLLE BLADE MOUNT & LIGHT

- Pull the slide lock outward to release the three mounting blades (Figure 3).
- Slide the three mounting blades under the webbing loops. The two stitch lines will align with the grooves in mounting blades (Figure 4).

- Insert mounting blades into the slide lock and snap into place (Figure 5). Ensure all three blades are secure and captured by the slide lock.
- Slide your light (with the dovetail sleeve or panel installed) into the TRS receiver until it clicks into place.
- To release the light, depress the button located on the top of the receiver, slide the light free from the mount.

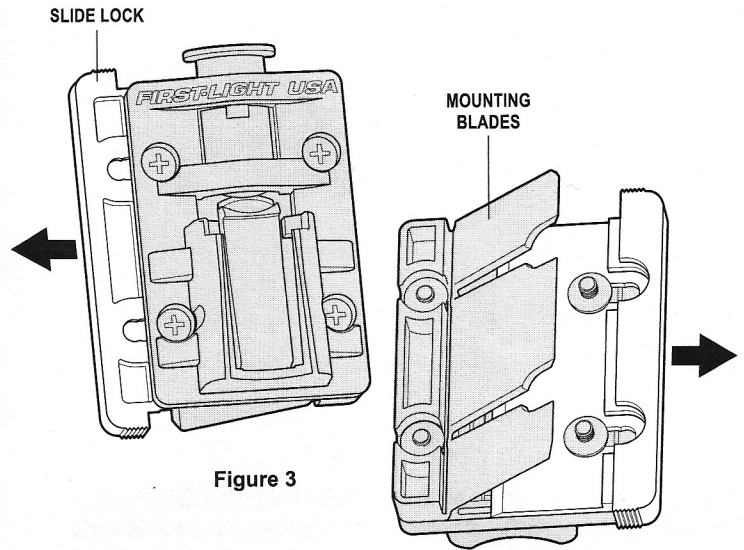


Figure 3

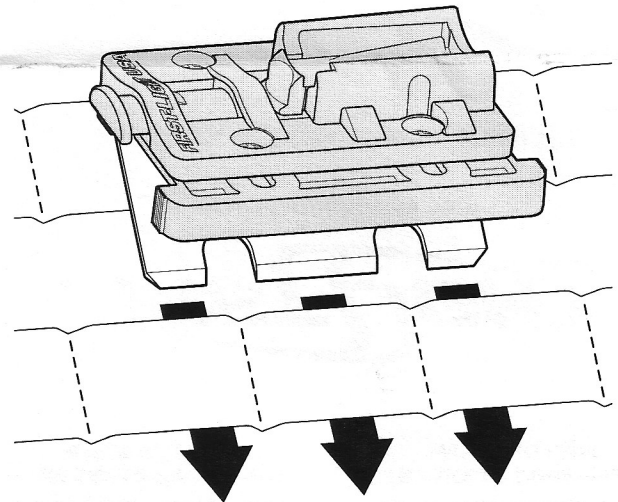


Figure 4

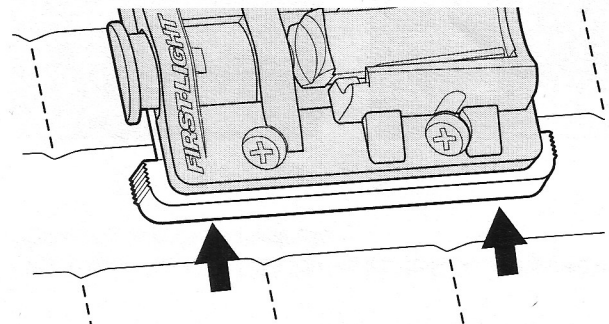


Figure 5