

ENGLISH

OPERATING INSTRUCTIONS FOR STREAMLIGHT SIDEWINDER COMPACT® II

Thank you for selecting the Sidewinder Compact II, a truly remarkable portable light. As with any professional tool, reasonable care and maintenance of this product will provide years of dependable service. Please read these important operating instructions before using your Sidewinder Compact II.

BATTERIES

The Sidewinder Compact II accepts a single AA alkaline, AA lithium or CR123 battery. Install battery by unscrewing the tethered end cap from the flashlight body. Insert a fresh battery into the flashlight body, positive end first, and replace the end cap.

WARNING: FIRE, EXPLOSION, BURN HAZARD - USE ONLY RECOMMENDED LITHIUM BATTERIES

Inferior quality lithium batteries can cause fire, explosion, burns. We recommend the use of ONLY Streamlight or Panasonic, Sanyo, Energizer or Duracell batteries in our products. Use of other batteries or mixing brands and old and new batteries may risk leakage, fire, explosion and serious personal injury. To further avoid this risk for any brand lithium battery, do not recharge, misuse, short circuit, disassemble, improperly store or discard, expose to high temperatures.

USING THE LIGHT

The integrated switch/selector is located on the side of the flashlight's head. The center pushbutton on/off switch operates with a single click for low power, fast double-click for strobe or push and hold to cycle through four LED intensities (for the Sportsman model, single click for high power). There are four positions indicated on the selector knob including one raised indicator. Pull the knob outward and rotate. See table for model-specific operation.

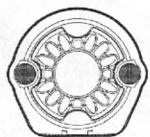
Model (LED configuration)	Raised Indicator Toward Lens	90° Clockwise Rotation	180° Clockwise Rotation	270° Clockwise Rotation
MIL (R/B/IR)	IR	Red	White	Blue
AVI (G/B/IR)	IR	Green	White	Blue
MED (R/G/IR)	IR	Red	White	Green
SPT (R/B/G)	Green	Red	White	Blue

Warning: If your model is stamped with "IR SAFE", store the Sidewinder with the raised indicator of the selector knob in the "IR SAFE" position to avoid accidental IR emission.

A lanyard attachment point is included at the closed end of the mounting clip.

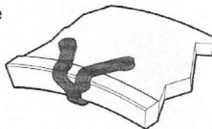
HELMET MOUNT

The Sidewinder helmet mount is designed to allow hands-free use of the flashlight for task-specific lighting. The mount will fit PASGT, ACH and MICH style helmets.

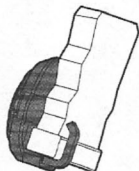


1. Select the desired mounting location and remove the two slotted mounting screws from the front of the helmet mount.

2. Place only the metal clip onto the rim of the helmet with the V-shaped side outward.

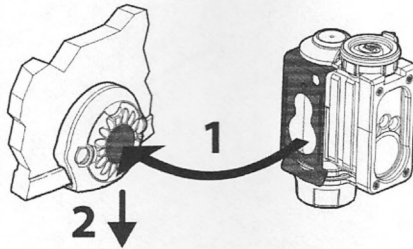


3. Align the mount over the metal clip. Insert and tighten the mounting screws to assure firm attachment.



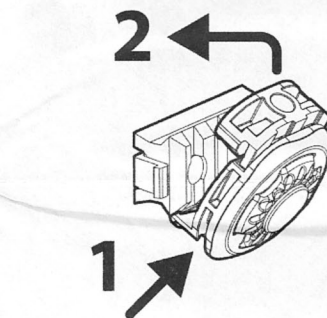
1. Attach the Sidewinder by placing the large opening in the MOLLE clip over the round post on the helmet mount.
2. Press inward against the mount and slide downward until the Sidewinder locks into place.

The Sidewinder can be adjusted to provide illumination as needed. Release the Sidewinder from the helmet mount by pressing inward against the mount and sliding upward.

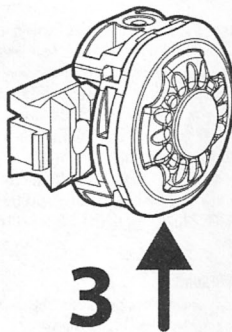


HELMET RAIL MOUNT (NOT for use on firearms)

The Sidewinder helmet rail mount is specifically designed for easy attachment to FAST, BUMP and ACH-ARC style helmets. It is not designed for use in weapon mounted applications.

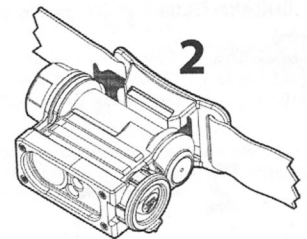
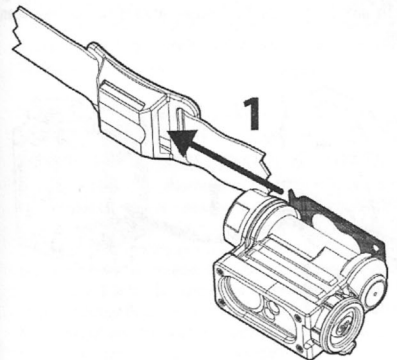


1. Loosen the slotted tension screw with a screwdriver to open the moveable side of the mounting clamp.
2. Place the mount at the desired position on the helmet rail and position the tension screw into the appropriate rail groove.
3. Fully tighten the tension screw.



HELMET/HEAD STRAP

The Sidewinder helmet/head strap is designed to allow hands-free use of the flashlight for task-specific lighting with or without a helmet. Adjust the strap to the desired fit (slide adjustment). Attach the Sidewinder Compact II by inserting the clip through either cut-out on the mounting plate.



For service or repair, return "UPS prepaid" with a copy of the original sales receipt to Streamlight.

SERVICE

Customer Service
STREAMLIGHT, INC.
30 Eagleville Road, Suite 100
Eagleville, PA U.S.A. 19403-3996
Phone: (800) 523-7488 Toll-Free
Fax: (800) 220-7007
www.streamlight.com

STREAMLIGHT SIDEWINDER COMPACT LIMITED WARRANTY

Streamlight warrants its Sidewinder Compact II (excluding batteries) will be free from manufacturing defects under normal use for 12 months after purchase. During the warranty period, at its sole discretion, Streamlight will repair or replace any defective part or product. TO THE EXTENT ALLOWED BY LAW, STREAMLIGHT DISCLAIMS ALL OTHER WARRANTIES, EXPRESS OR IMPLIED, INCLUDING WARRANTIES OF MERCHANTABILITY AND FITNESS FOR A PARTICULAR PURPOSE. STREAMLIGHT SHALL NOT BE LIABLE FOR ANY DIRECT, INDIRECT, OR CONSEQUENTIAL DAMAGES.

PRODUCT REGISTRATION:

To register your product, go to www.streamlight.com/support (Online Product Registration). Retain your receipt or any proof of purchase.

Serial # _____
(Serial number located on flashlight body under mounting clip.)

Date of Purchase _____