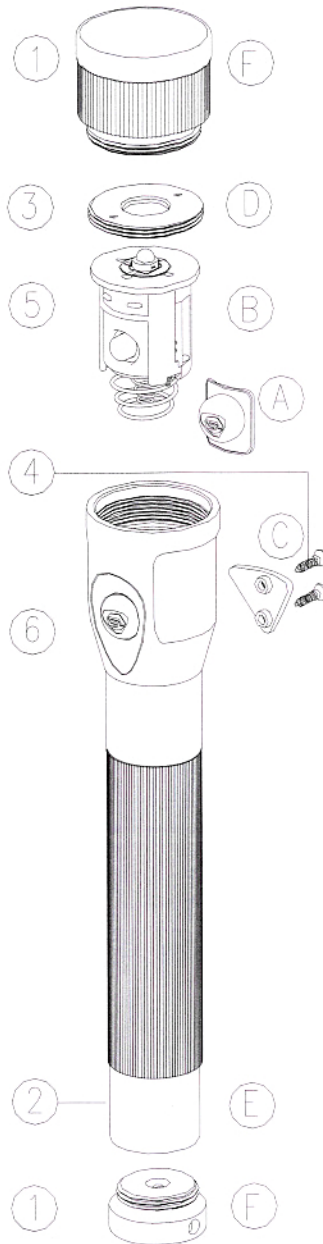


## Stinger LED Switch Replacement

### REMOVAL

1. Remove facecap and tailcap (or DS tailcap/switch assembly).
2. Slide battery out of flashlight body.
3. Use a pair of snap ring pliers (or the Stinger switch module pliers, p/n 750163) to unscrew the retainer from the flashlight body.
4. Use a Phillips #1 screwdriver to remove the two charge screws (located opposite the switch) that secure the charge plate to the flashlight.
5. Reinsert the battery and use it to push the switch module assembly free from the flashlight.
6. Push the switch boot down and into the body to remove it from the flashlight.



### REPLACEMENT

- A. Insert the new switch boot (SL logo oriented as shown) into the opening in flashlight barrel.
- B. Insert switch module into body and align switch so the two mounting holes of the switch module align with the mounting holes for the charge screws.
- C. Install charge plate and tighten the two charge screws.
- D. Insert the retainer into the head of the flashlight and tighten to secure the switch module.
- E. Insert the battery into the flashlight body (double contacts toward head).
- F. Reinstall the facecap and tailcap.

p/n 997551  
rev. 07/08 special

### IMPORTANT!

**A new reflector or facecap assembly and retainer ring must be used when replacing an older model LED (round) with the newer LED (square).**