

Engraved ProTac® 1AA/1L Order Form – 2015 4th Qtr Promotion

Effective September 1 - December 31, 2015

Qualifications: Minimum 24 quantity; Must order in increments of 12

ProTac 1AA: _____ (Quantity) ProTac 1L: _____ (Quantity)

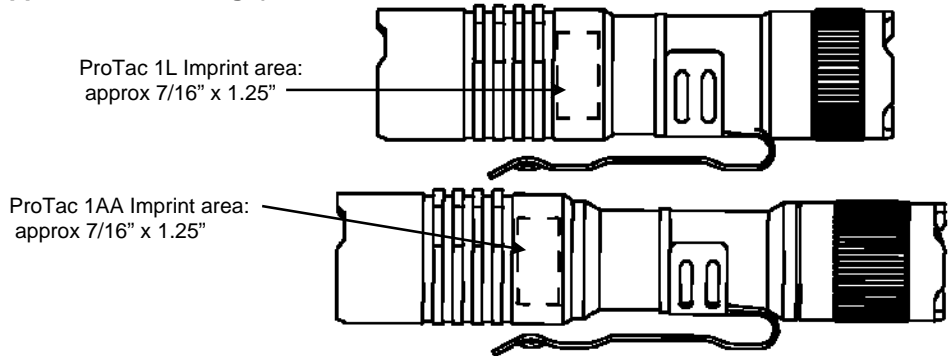
Indicate your font choice: _____

Amerigo Bold Futura Lite
 Swiss 721 Roman *Brush Script Regular*

IMPRINT to be laser engraved should reflect exactly how you want to see the imprint. For example, all upper case should be written in all capital letters. Maximum 12 letters (includes spaces) per line – 2 lines.

Please check your choice of: UPPER CASE lower case Mix

Imprint Location: (opposite ProTac Logo)



Please Print or Type required information below:

Distributor Information:

Contact Name: _____
 Company Name: _____
 Address: _____
 City: _____ State: _____ Zip: _____
 Phone: _____ Fax: _____
 Signature (Required): _____
 Date: _____

Customer Information:

Contact Name: _____
 Company Name: _____
 Address: _____
 City: _____ State: _____ Zip: _____
 Phone: _____ Fax: _____
 Signature (Required): _____
 Date: _____

- Please complete order form and return to your distributor to expedite processing
- Distributor to send approved order directly to Streamlight for processing
- **NOTE:** Form must contain approval signature or order will not be processed. Allow up to 6 weeks for delivery.

Following to be completed by Streamlight inside Sales Rep:

Streamlight Order #: _____

ISR: _____

Promotion Code: #15-009